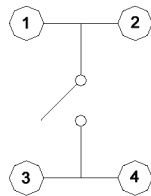
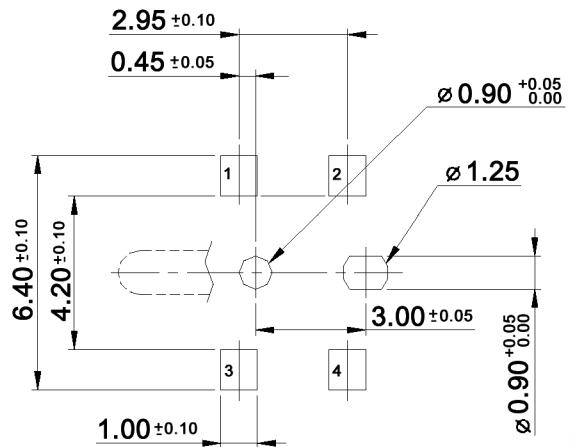


CIRCUIT DIAGRAM



P.C.B. LAYOUT



Compliance: RohS III (2015/863/EU)

Tolerances: ±0.20mm			Date	Name
Rename	03/21	dr	12/08	dr
Material	10/19	dr		
Operating temperature	05/15	dr		
Rating	09/12	dr		
Material	08/12	dr		
Plating	01/12	dr		
Material	02/10	dr		
Modifications	Date	Name		

DTS 110 CBP-RT-1

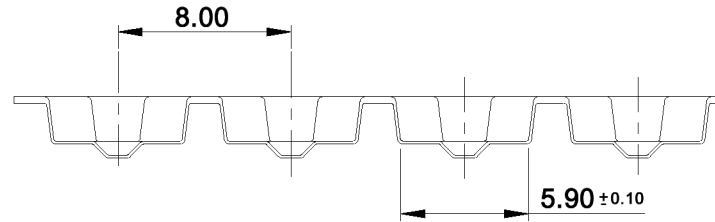
knitter-switch

30 16 80

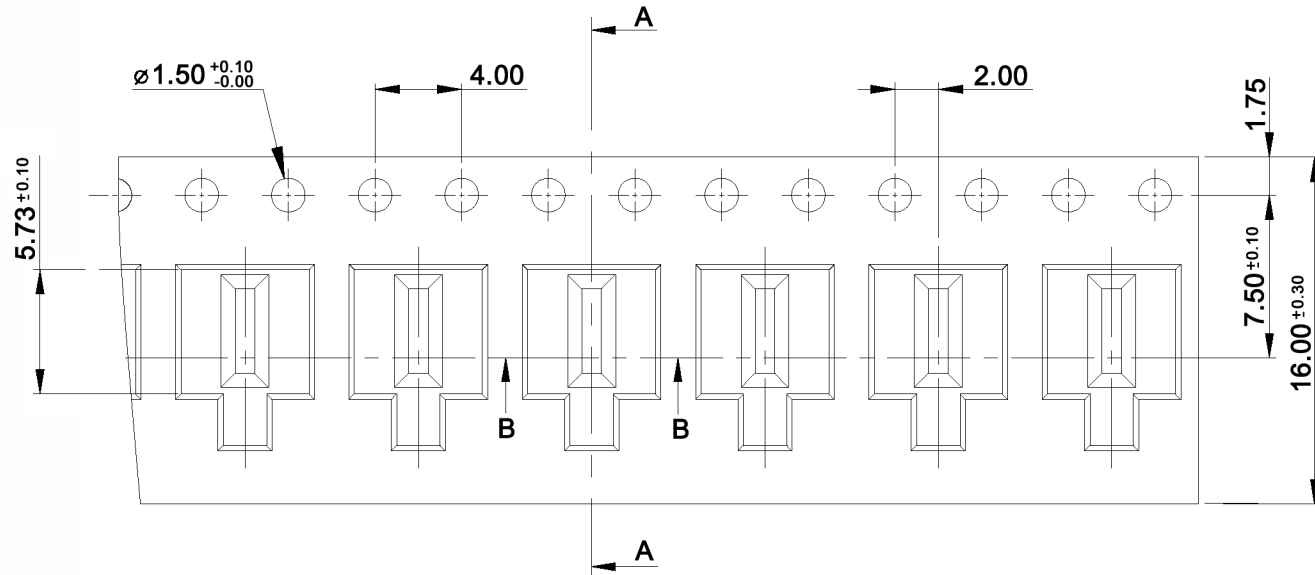
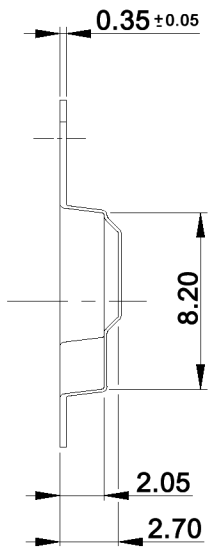
Page

1/3

SECTION B-B



SECTION A-A



Packaging unit: 3 000 pcs. / reel
 Compliance: RohS III (2015/863/EU)

Tolerances: $\pm 0.20\text{mm}$			Date	Name
			12/08	dr
Rename	03/21	dr		
Material	10/19	dr		
Operating temperature	05/15	dr		
Rating	09/12	dr		
Material	08/12	dr		
Plating	01/12	dr		
Material	02/10	dr		
Modifications	Date	Name		

DTS 110 CBP-RT-1

knitter-switch

30 16 80

Page

3/3